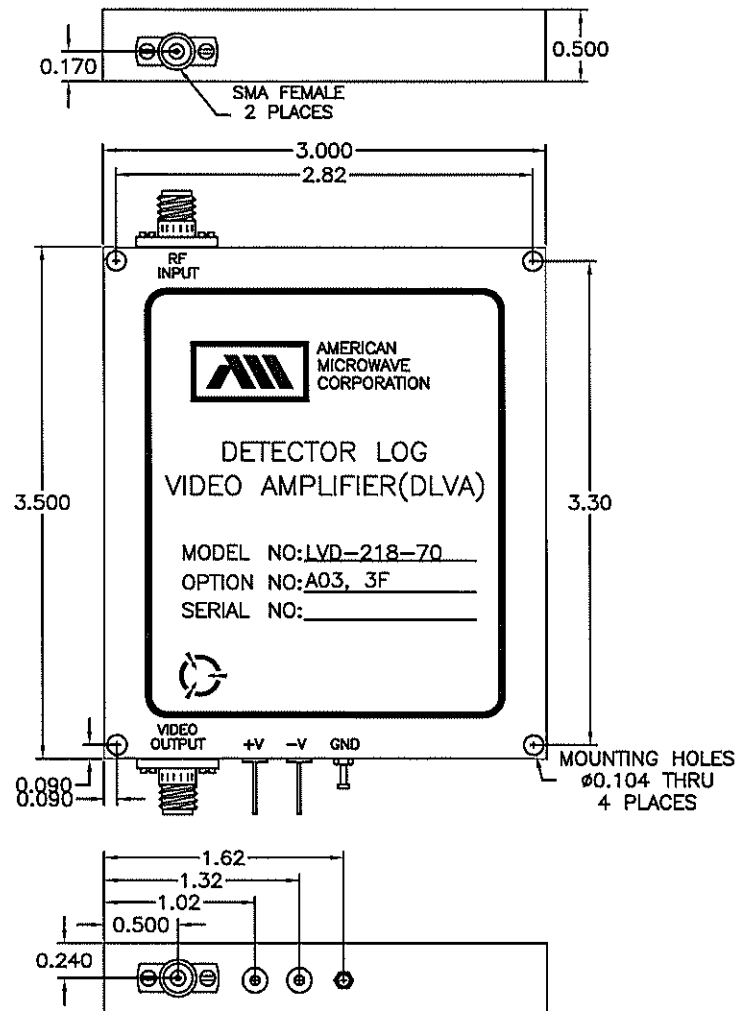


DESCRIPTION

LVD-218-70 OPTION A03 & 3F HAS AN OPERATING FREQUENCY RANGE OF 3GHz (± 400 MHz). UNITS EMPLOY PLANAR DIODE DETECTORS AND INTEGRATED VIDEO CIRCUITRY FOR HIGH SPEED PERFORMANCE (10 NSEC MAX) AND OUTSTANDING RELIABILITY. THE DLVA'S ARE OF SUPERIOR CONSTRUCTION USING STATE-OF-THE-ART MIC/MMIC TECHNOLOGY. THE SIZE IS 3.0" x 3.5" x 0.5".

MECHANICAL OUTLINE



ALL DIMENSIONS ARE IN INCHES
 TOLERANCES:
 X.XX ± 0.020
 X.XXX ± 0.010

TITLE			
MECHANICAL OUTLINE			
LVD-218-70			
OPTION A03, 3F			
DC COUPLED DETECTOR LOG VIDEO AMPLIFIER			
SIZE	FSCM NO.	DWG NO.	REV.
A	60483	100-2827-2	-
SCALE N:S		SHEET 2 OF 3	

DESCRIPTION

LVD-218-70 OPTION A03 & 3F HAS AN OPERATING FREQUENCY RANGE OF 3GHz (± 400 MHz). UNITS EMPLOY PLANAR DIODE DETECTORS AND INTEGRATED VIDEO CIRCUITRY FOR HIGH SPEED PERFORMANCE (10 NSEC MAX) AND OUTSTANDING RELIABILITY. THE DLVA'S ARE OF SUPERIOR CONSTRUCTION USING STATE-OF-THE-ART MIC/MMIC TECHNOLOGY. THE SIZE IS 3.0" x 3.5" x 0.5".

FEATURES

- TRULY DC COUPLED
- WIDE BANDWIDTHS
- FAST RISE TIMES
- SHORT RECOVERY TIMES
- SUPERIOR ACCURACY
- EXTENDED DYNAMIC RANGE CAPABILITY
- MINIATURE SIZE
- 7.2 OZ WEIGHT

SPECIFICATIONS

- FREQUENCY RANGE: 3GHz (± 400 MHz)
- FREQUENCY FLATNESS: ± 2.0 dB MAXIMUM
- TSS: -68 dBm TYPICAL
- VSWR: 3.0:1 MAXIMUM
- DYNAMIC RANGE: 75 dB TYPICAL
- LOGGING RANGE: -65 TO +5 dBm MINIMUM
- LOG LINEARITY: ± 1.75 dB MAXIMUM
- LOG SLOPE: 50 mV/dB TYPICAL
- LOG SLOPE ACCURACY: $\pm 10\%$
- LOG TEMPERATURE STABILITY: ± 1.75 dB (0°C TO +60°C)
- RISE TIME: 10 nSec MAXIMUM
- RECOVERY TIME: 200 nSec TYPICAL, 350 nSec MAXIMUM
- VIDEO LOAD: 93 OHMS TYPICAL
- DC POWER (NO LOAD)
 - +V: 15V @ 350 mA MAXIMUM
 - V: 15V @ 200 mA MAXIMUM
- SIZE: 3.00" x 3.5" x 0.5"

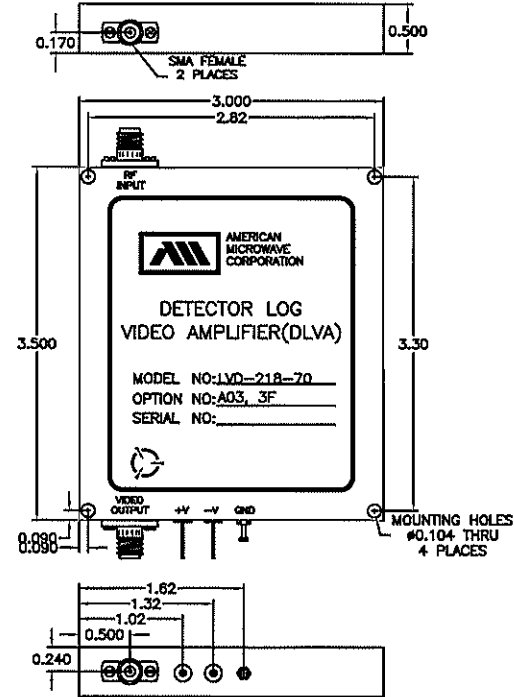
OPTIONS

- A01: EXTENDED 0.2 TO 20 GHz RF FREQUENCY RANGE
- A02: EXTENDED 0.5 TO 18 GHz RF FREQUENCY RANGE
- A03: FASTER RISE/RECOVERY TIMES
- A04: ALTERNATE LOG SLOPES
- A05: HIGH POWER RF CW/PEAK PROTECTION
- A06: EXTENDED LOGGING RANGE
- A07: OTHER VIDEO LOADS

NOTE: SPECIFICATIONS WILL VARY OVER OPERATING TEMPERATURE
NOTE: THE ABOVE SPECIFICATIONS ARE SUBJECT TO CHANGE OR REVISION

ALL DIMENSIONS ARE IN INCHES
TOLERANCES:
X.XX ± 0.020
X.XXX ± 0.010

REVISIONS				
ZONE	REV.	DESCRIPTION	DATE	APPROVED
-		ORIGINAL RELEASE: JOB# 708152XPEN	8/27/07	



ENVIRONMENTAL RATINGS

- TEMPERATURE: -54°C TO +85°C (OPERATING)
..... -65°C TO +100°C (STORAGE)
- HUMIDITY: MIL-STD-202F, METHOD 103B COND. B
- SHOCK: MIL-STD-202F, METHOD 213B COND. B
- VIBRATION: MIL-STD-202F, METHOD 204D COND. B
- ALTITUDE: MIL-STD-202F, METHOD 105C COND. B
- TEMPERATURE CYCLE: MIL-STD-202F, METHOD 107D COND. A

AMERICAN MICROWAVE CORPORATION

7311-G GROVE ROAD
FREDERICK, MARYLAND 21704 USA
TEL: 301-662-4700 FAX: 301-662-4938
WEBSITE: www.americanmicrowavecorp.com
E-MAIL: sales@americanmicrowavecorp.com
ISO 9001:2000 CERTIFIED

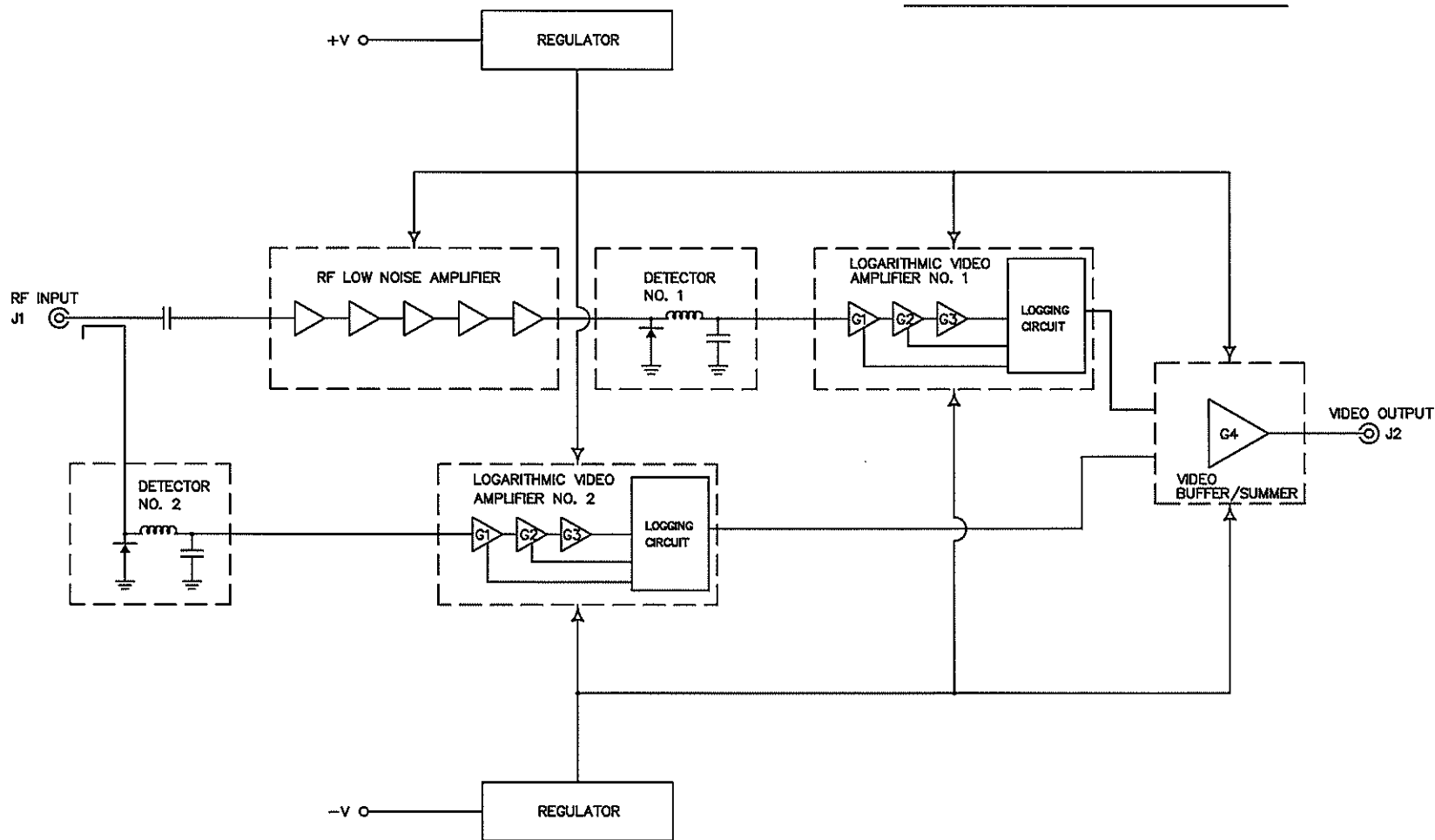


APPROVALS		DATE	TITLE			
DRAWN	SCMS	8/27/07	PRODUCT FEATURE			
REDRAWN	JA	8/27/07	LVD-218-70			
ISSUED			OPTION A03, 3F			
			DC COUPLED DETECTOR LOG VIDEO AMPLIFIER			
			SIZE	FSCM NO.	DWG NO.	REV.
			A	60483	100-2827-2	-
			SCALE	N:S		SHEET
					1 OF 3	

DESCRIPTION

LVD-218-70 OPTION A03 & 3F HAS AN OPERATING FREQUENCY RANGE OF 3GHz (± 400 MHz). UNITS EMPLOY PLANAR DIODE DETECTORS AND INTEGRATED VIDEO CIRCUITRY FOR HIGH SPEED PERFORMANCE (10 NSEC MAX) AND OUTSTANDING RELIABILITY. THE DLVA'S ARE OF SUPERIOR CONSTRUCTION USING STATE-OF-THE-ART MIC/MMIC TECHNOLOGY. THE SIZE IS 3.0" x 3.5" x 0.5".

FUNCTIONAL BLOCK DIAGRAM



CONFIDENTIAL AND PROPRIETARY

TITLE			
FUNCTIONAL BLOCK DIAGRAM			
LVD-218-70			
OPTION A03, 3F			
DC COUPLED DETECTOR LOG VIDEO AMPLIFIER			
SIZE	FSCM NO.	DWG NO.	REV.
A	60483	100-2827-2	-
SCALE	N:S	SHEET	3 OF 3